



The Spring-Lok® is a self-locking, tamper-indicating plastic seal with a unique hinge design.

Applications

- | | |
|-----------------|---------------------|
| Electric Meters | Pouches |
| ATM Cassettes | Zippered Money Bags |
| Tool Boxes | Carts |

Features

- Easy to close; one-handed operation
- Plastic body blushes if tampered with
- Quick and easy removal by twisting at break-point on spear
- Available with slit donut/stringing hole
- Offered in other varieties: long shaft, dual use or economy

Materials

Polypropylene

Strength Characteristics

Average pull apart force is 8 lbs (3.6 kg)

Dimensions

Operational Length: 0.77" (19.5mm)

Marking/print

- Minimum quantities apply to customized versions of this product – please call for details
- Heat stamped or Embossed with company name
- 12 Characters, 7 digits and Logo

Available Colours

Black, Blue, Green, Grey, Orange, Purple, Red, White, Yellow

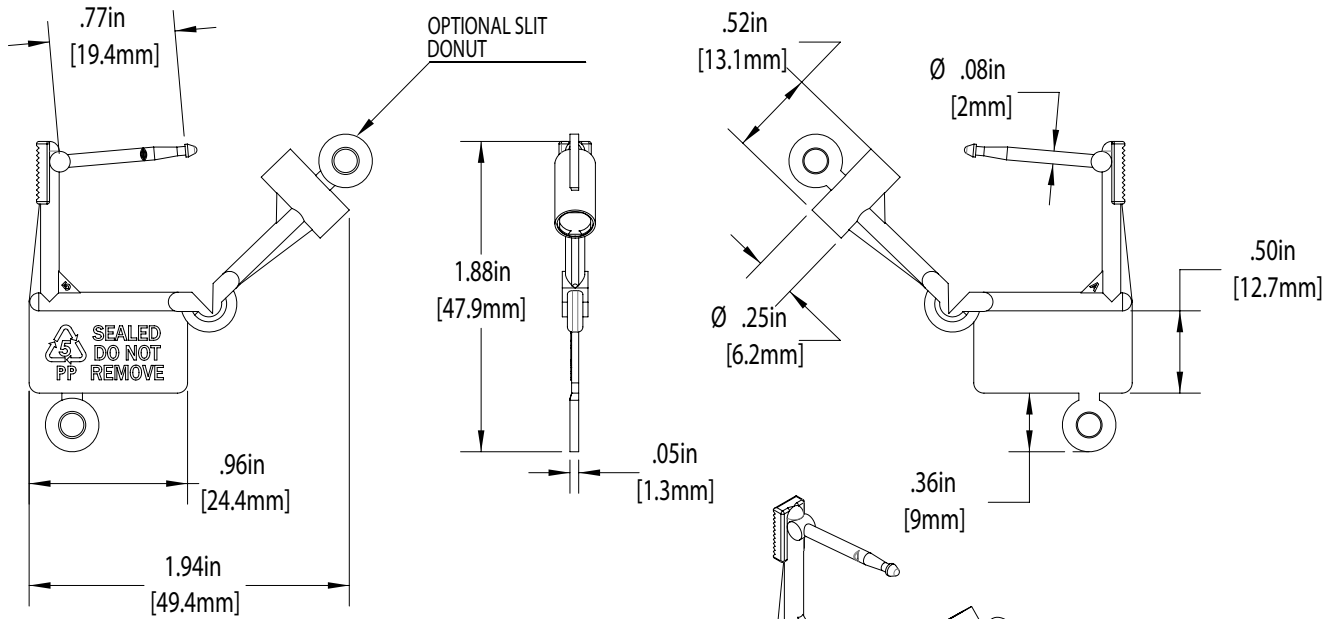
Packaging

- 1000pcs/Box - 5000/Outer Carton
- Box Dimensions: 28"x15"x10" (710x380x250mm)
- Box Weight: 21lbs (10kg)
- Special Packing:
 - 50pcs/Polybag - 2500/Box
 - 100pcs/Polybag - 2500/Box

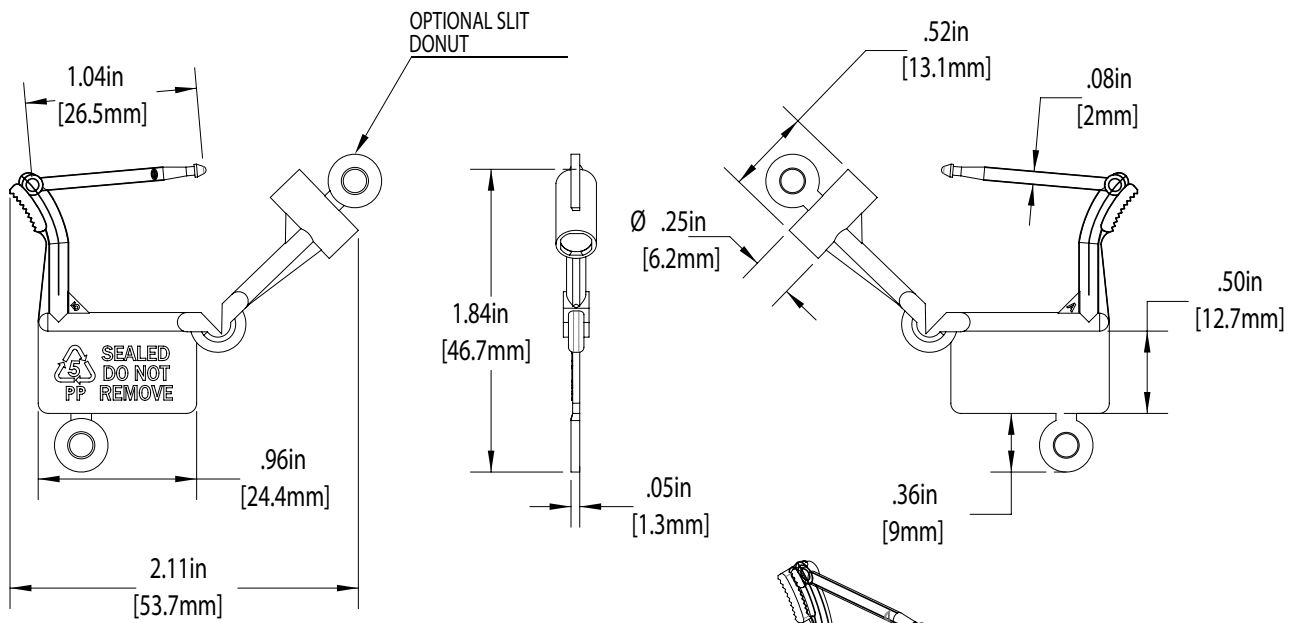




The Spring-Lok® is a self-locking, tamper indicating plastic seal with a unique hinge design.



STANDARD SHAFT



LONG SHAFT